



# OEC® Flexiview 8800 C-arm

## Design

- Mobile C-arm
- Separate dual monitor cart

## Generator

- 20 kHz high frequency
- 2.2 kW power
- Up to 110 kVp

## X-Ray Tube

- Stationary Anode
- 0.5 mm and 1.5 mm focal spot
- Anode heat capacity: 74,200 HU
- Anode cooling rate: 39,960 HU/min

## Video Imaging System & Processing

- Tri-mode 9"/6"/4.5" II
- 1k x 1k x 16 bit image processing
- 370° motorized camera rotation
- Touch screen system control
- Noise filter with on-screen indicator
- Optional DICOM 3.0 interface

## Electrical

- Input power (60Hz or 50Hz)
- 100V @ 20A
- 120V @ 15A
- 200V, 220V, 230V, 240V @ 10A

## Dimensions

### Mainframe

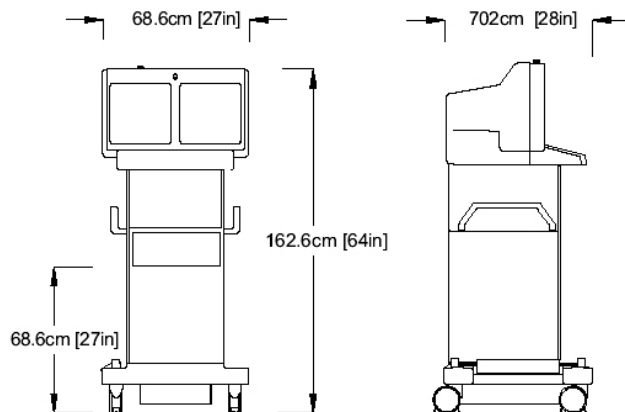
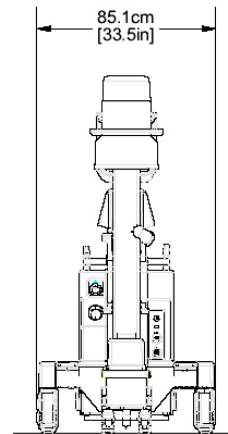
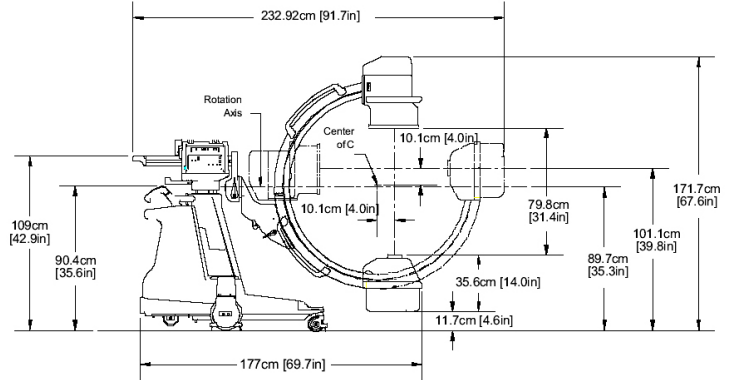
System length - 69.8" (177cm)  
 System height - 69.5" (176.5 cm)  
 System width - 33" (84cm)

### C-arm

SID 39" (99cm)  
 Free space in arc 31" (79cm)  
 Depth in arc 26" (66cm)  
 Orbital rotation 135° (90°/45°)  
 Manual rotation 360° (180°/180°)  
 Wig/wag 20°  
 Horizontal travel 8" (20cm) 8" (20cm) 8" (20cm)  
 Vertical travel 18" (46cm)

### Workstation

Height - 64" (163cm)  
 Width - 27" (69cm)  
 Depth - 27" (69cm)



\*OEC® is a registered trademark of GE Medical Systems. Specifications are subject to change.